

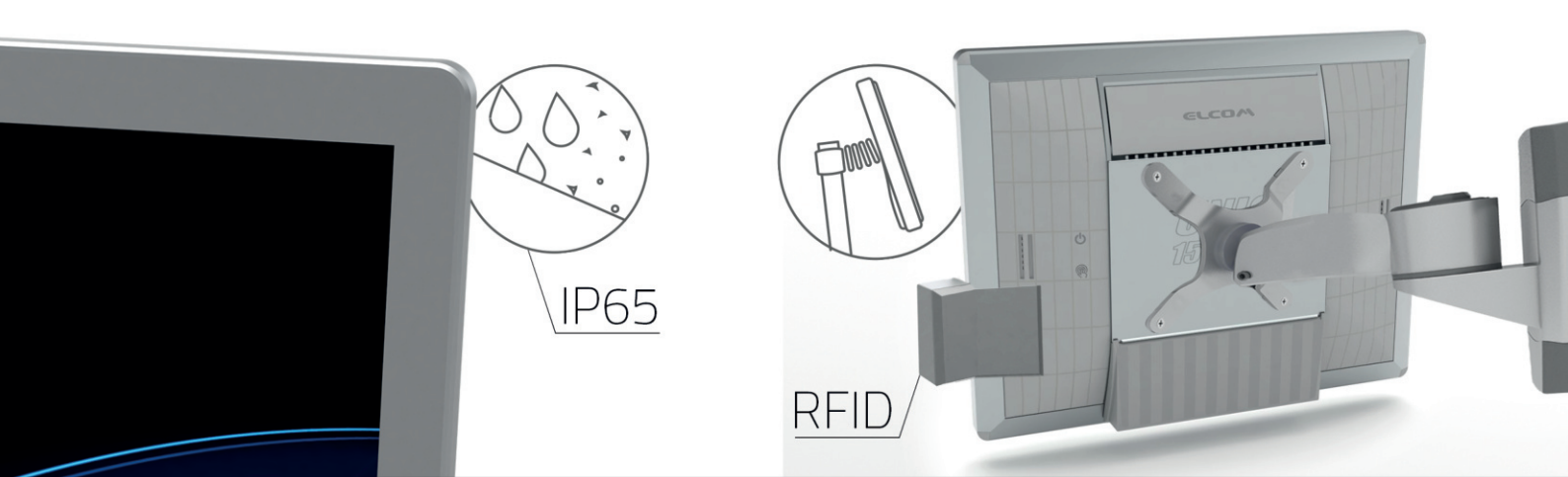
# UniqPC 150 II

durable industrial computer of the new generation



- construction
- mining
- industry
- energetics
- logistics
- health care
- advertisement
- retail





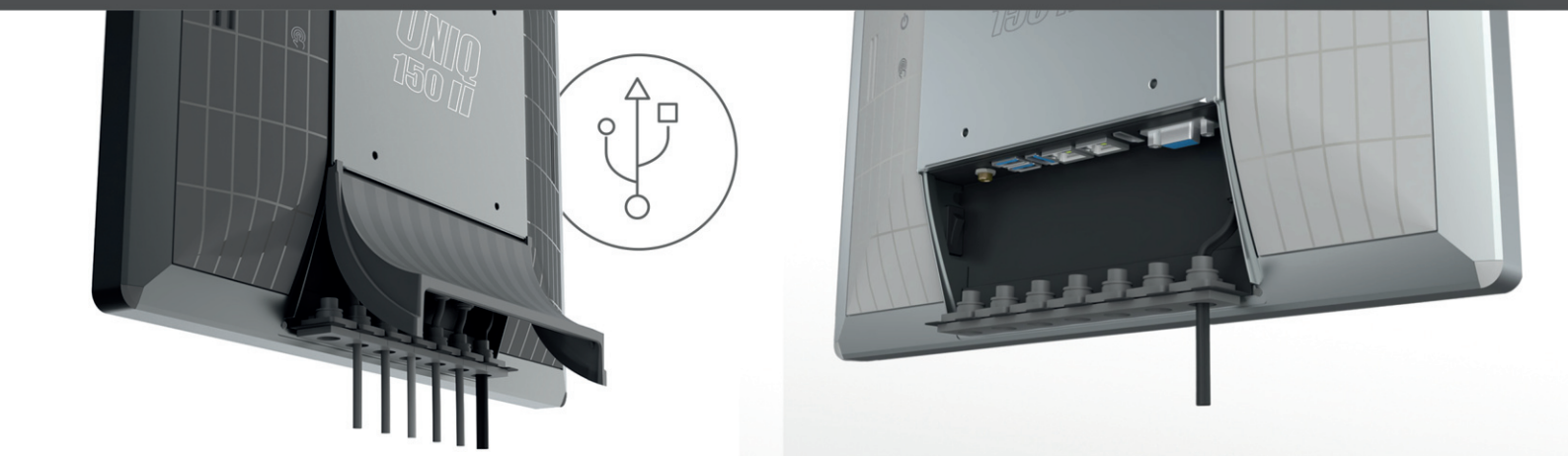
The years-proven IP protection (IP65) of the new Uniq PC 150 II computer is complemented by the IP protection of the power adapter as well.

Wide range of mounting possibilities: on a desk, wall, using a VESA standard guarantee a great fit into any type of establishment



Closed construction without fans and moving parts guarantees completely silent and comfortable operation

Comfortable operation with hand, pen, in gloves or any other object and even with all ten fingers with multi-touch



An important novelty is also innovative cable management, so that the user can easily and at any time reach the connectors, connect only the cables that he really needs and that the cable connection has IP protection.



**Display**

15" TFT, 4:3, LED  
PCAP capacitive touch screen,  
multitouch screen,  
resistive touch screen



**Resolution**

1024 x 768 px



**Communication interface**

Intel® Celeron J1900 (QuadCore),  
3x USB, 2 x LAN,

Intel® Celeron® 4305UE,  
Intel® Core™ i3-8145UE,  
Intel® Core™ i5-8365UE,  
4 x USB, 2 x LAN,

RJ45 / RS232 / RS 422/ RS485 (optional)



**CPU**

Intel® Celeron J1900 (QuadCore),  
DDR3L - 4 / 8 GB (optional),

Intel® Celeron® 4305UE,  
Intel® Core™ i3-8145UE,  
Intel® Core™ i5-8365UE,  
DDR4 - 8 / 16 / 32 / 64 GB (optional),

256 GB / 512 GB SSD or M2 (optional)



**Operating conditions**

0 to +40°C  
IP65 (entire computer)

