

# Uniq Display 15"

User manual

version 1.0.0





# CONTENTS

<b>INTRODUCTION .....</b>	<b>18</b>
<b>Important notice .....</b>	<b>18</b>
<b>PRODUCT DESCRIPTION .....</b>	<b>19</b>
<b>Parts of the display, basic features .....</b>	<b>19</b>
<b>USING THE DEVICE .....</b>	<b>22</b>
<b>Remote control .....</b>	<b>22</b>
Turning On and Off .....	22
Menu .....	23
Working with menus .....	24
Switching the display brightness .....	24
<b>Connecting to a computer and configuration .....</b>	<b>24</b>
Installing the touch panel drivers .....	25
Windows .....	25
Linux and other supported operating systems .....	25
<b>Calibration of the touchscreen panel .....</b>	<b>25</b>
4-Point Calibration .....	26
Clear and Calibrate .....	26
Linearization .....	26
Draw Test .....	26
<b>Setting up the touch panel .....</b>	<b>27</b>
<b>MOUNTING OPTIONS .....</b>	<b>28</b>
Placement on a vertical surface (wall) for standard stand .....	29
Tube holder 500 mm and 1300 mm .....	29

# INTRODUCTION

Thank you for choosing the Uniq Display. Please read this user manual before you begin using the equipment in order to become familiar with its features and functions. Also keep this user manual for future use. It will help you solve problems that may arise.

## IMPORTANT NOTICE

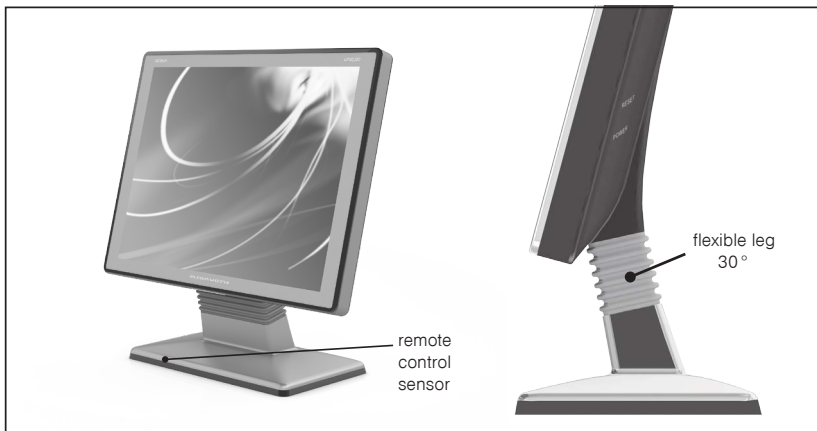
- Do not leave switched-on equipment unattended!
- Install the product in a place where it will not be exposed to direct sunlight, unusual changes in temperature (below 0 °C and over 40 °C) or high humidity. Installation in an unsuitable place could cause damage to the casing and electrical components
- When transferring the product between environments with different temperatures, do not switch it on for at least 60 minutes.
- Never use aggressive cleaning solutions when cleaning the product surface. The use of unsuitable cleaning solutions can cause damage to the product.
- If the product is not functioning properly, turn to an authorized service technician. Do not attempt to repair the product yourself. Never open the product casing!
- When plugging in this equipment always use the power adapter supplied or one exclusively authorized by the seller. The use of another resource can lead to damage to the source or the product.
- **Notice:** The adapter is specified for interior use only!
- The use of sharp objects for handling the touch screen panel can seriously damage or destroy it.
- This product cannot be cleaned using a strong stream of spraying water, nor can it be submerged in water.
- Some electrical equipment producing interference and connected to the same electrical circuit can cause the improper functioning of the equipment. In such cases, use a special anti-jamming device recommended by the manufacturer.
- To fully disconnect the device from the electrical network unplug it from the electrical socket.
- The manufacturer is not responsible for any damage caused to the product in the case of improper maintenance or use in a different manner than is described in these instructions.
-  The symbol (a crossed-out wastebasket) on the product or its packaging means that the product, upon completion of its lifespan, should not be disposed of in common household waste, but must be taken to a collection point designated for the collection of worn-out electrical and electronic appliances. Proper liquidation of this product can help preserve natural resources and helps in the prevention of negative impacts on the environment and human health.
-  The product contributes to environmental protection through the use of lead-free technology during its production.

# PRODUCT DESCRIPTION

## PARTS OF THE DISPLAY, BASIC FEATURES

The Uniq Display is a sturdy computer display. The high-quality production and wide possibilities for use make the Uniq Display a unique solution for your business. The Uniq Display is designated mainly for commercial operations, private and public institutions, or for the medical sector as a surrogate imaging and optical device in environments with high demands on air quality and environment sterility. Optional touch panel further extends the possibilities of using Uniq Display as a tool for interactive digital presentation of information.

**Figure 1.1. Basic features and controls – table and wall mount variant**



**Figure 1.2. Basic features and controls – tube holder variant**



**Table 1.1. Parameters**

Type of display	TFT LCD (TN)
Diagonal width	15"
Screen resolution	1024 x 768
Aspect ratio	4:3
Touchscreen display	resistive / capacitive / capacitive vandalproof (optional)
Touch panel operating system support (drivers)	Windows XP/Vista/7, Mac OS X, Linux
Interfaces	VGA, USB (optional, USB connector for connecting the touch panel to a PC)
Power	Adapter AC/DC 230 V - 12 V, 4200 mA
Placement options	the base on a table or wall / tube holder/ VESA 100 (selectable)
Dimensions of the display	351 x 268 mm (H x W, without the base)
Thickness of the display	38 mm (48 mm - vandalproof version)
Weight	4 kg (without the holder)
Construction and protection	IP 20 - connector's side from bottom IP 54 (except connector's side) antibacterial surface - optional
Operating conditions	temperature 0-40 °C, humidity 5%-95% (non-condensing)

Figure 1.3. Connectors - table and wall mount variant

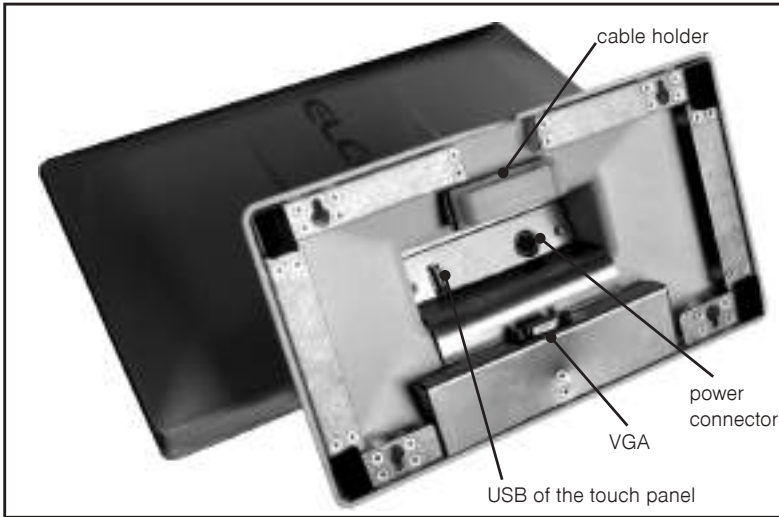
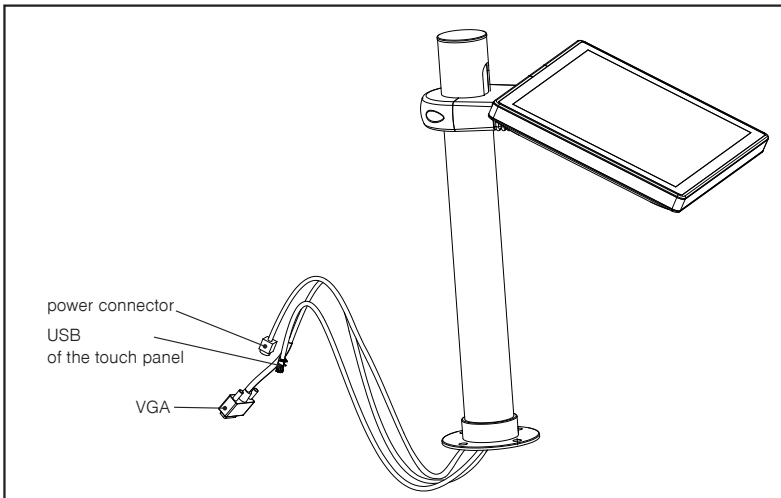


Figure 1.4. Description of connectors for tube holder variant

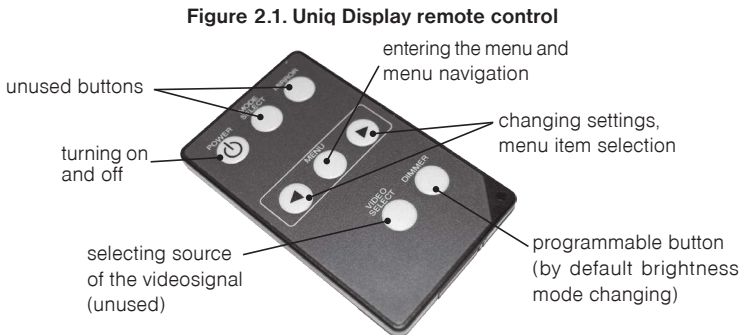


# USING THE DEVICE

## REMOTE CONTROL

*Note: Remote control should be pointed so that its front end (IR LED) aimed towards the remote control sensor on Uniq Display. The controls are sufficiently sensitive to the captured commands reflected from the walls and surrounding objects.*

Use supplied remote control to control the Uniq Display. Its functions are described in the following figure.



## Turning On and Off

*Note: Before connecting or disconnecting cables we recommend to shut down the computer and Uniq Display.*

Connect the VGA cable to Uniq Display and the other end to your computer. Connect the power adapter to the Uniq Display and plug the other end into an electrical outlet. If Uniq Display detects the VGA signal on its VGA input, it turns on automatically (this behavior can be changed in the Uniq Display menu). If this is not the case, the Uniq Display is turned on and off by pointing the remote control at the remote sensor and pressing the **POWER** button on the remote control. It takes about 3 seconds from pressing the button until the image is displayed. If a source of the video signal is not connected to the Uniq Display, it will show the message "No signal input" when turned on.

## Menu

Uniq Display has built-in menu to adjust picture parameters, the source of video signal and the language of the menu. If a source of the video signal is not connected to the Uniq Display, the menu can not be displayed.

Figure 2.2. Menu of the Uniq Display (left: the main menu, right: SETUP sub-menu)

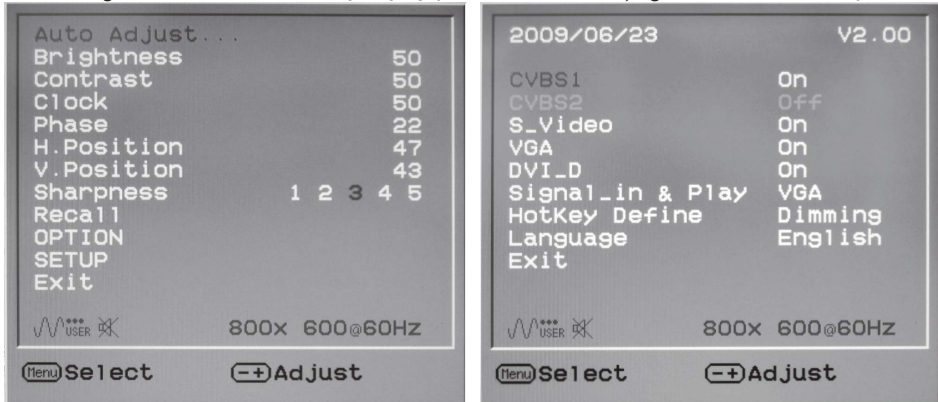


Table 2.1. Menu structure

Menu item (English/French/German/Spanish)	Function
Auto adjust... / Réglage automatique... / Autom. Anpassung... / Ajuste automático...	Automatic adjustment of image parameters. Activated by pressing the button ► on the remote control.
Brightness / Luminosité / Helligkeit / Luminosidad	Adjust the brightness (press ◀ or ▶).
Contrast / Contraste / Kontrast / Contraste	Adjust the contrast (press ◀ or ▶).
Clock / Horogeß / Takt / Reloj	This setting can correct blurred edges in picture.
Phase / Phase / Phase /Fase	This setting can correct blurred edges in picture.
H.Position / Position-H / H - Position / Posición-H	Horizontal picture shift.
V.Position / Position-V / V - Position / Posición-V	Vertical picture shift.
Sharpness / Netteté / Schärfe / Nitidez	Adjust the picture sharpness.
Recall / Rappel / Wiederruf / Rellamada	Restore all picture settings to default values.
<b>OPTION / OPTION / OPTION / Opciones</b>	Enter the submenu by pressing ►.
Volume/ Volume / Lautstärke/ Volumen	Volume control (unavailable).
Mute / Muet / Stummschaltung / Silencio	Muting the sound (unavailable).
REVERSE	(unavailable)
MIRROR	(unavailable)
Color Temperature/ Temperature Couleurs / Farbtemperatur / Temperatura Colores	Change the color temperature (for higher values the image is more bluish, for lower more yellowish)



Menu item (English/French/German/Spanish)	Function
Exit / Quit / Verl / Sali	Move to a higher level menu (◀ or ▶).
<b>SETUP / SETUP / SETUP / Configuracion</b>	Enter the submenu by pressing ▶.
CVBS1	Enable CVBS1 input, (not used).
CVBS2	Enable CVBS2 input, (not used, unavailable).
S_Video	Enable S-Video input, (not used).
VGA	Enable VGA input.
DVI-D	EnableDVI input, (not used).
Signal_in & Play	Select the signal input which will be monitored for the presence of signal for the automatic turn-on function.
Hotkey define	Unused setting.
Language / Langue / Sprache / Idioma	Language for menu and OSD (on-screen display)
Exit / Quitter/ Verlassen / Salir	Move to a higher level menu (◀ or ▶).
Exit / Quitter / Verlassen / Salir	Leave menu (press ◀ or ▶).

### Working with menus

Display setup menu is brought up by pointing the remote control and pressing the MENU button on the remote control. You can navigate between individual menu items by pressing MENU. It is only possible to move just one item down each time you press button, after the last item is reached you are moved to the first item.

Menu items which do not have the indication of the currently set value on the right side of the menu line can be activated by pressing the button ▶ on the remote control.

Settings in the menu which have the indication of the currently set value on the right side of the menu line can be adjusted by pressing the ◀ and ▶ buttons on the remote control.

Menu items that are written in capital letters (except for Spanish and Korean versions of the menu) represent a submenu in which you enter by pressing the button ▶ on the remote control.

### Switching the display brightness

Display brightness can be easily switched outside menu by pressing the "DIMMER" button between three modes: Normal - normal brightness, Light - increased brightness (brighter display), Dark - reduced brightness (darker display). Changing the display brightness is indicated by displaying corresponding word on the screen.

## CONNECTING TO A COMPUTER AND CONFIGURATION

Uniq Display connects to a computer through a standard 15 pin VGA cable. If Uniq Display has a touch panel installed, it must be connected to the USB port of your PC with a USB A-A cable.

To setup the Uniq Display correctly, you need to set the display resolution for Uniq Display in your operating system to 1024 x 768 pixels

In order to control the computer using Uniq Display's touch panel, after connecting the USB cable it is necessary to install and calibrate the drivers supplied on the CD. Drivers can also be downloaded from the website [www.elcom.eu](http://www.elcom.eu). Driver installation and calibration is described in the following chapters.

## Installing the touch panel drivers

### Windows

Run the installation program and follow the instructions. During the installation process, in the first step make sure that the option "Install PS / 2 Interface driver." is not selected.

Further we recommend to set the option "Do 4 point calibration" to "Next system boot up" or "None" – you can start calibration at any time manually. Before proceeding from this step, you are prompted to connect the touch panel – if you have not connected it yet, connect it to PC via USB cable now. If the operating system prompts to install the driver – Add New Hardware Wizard, close that window.

In the next step, you can choose whether to install support for using multiple touch panels or touch screens at the same time - "Support Multi Monitor Systems" option. You can check this option even if you are not currently using multiple touch screens. This gives you the option to add in the future more touch monitors and configure their touch panels them so that they controlled the monitor on which they are physically located.

In the following steps choose where to install the driver files and wait for the completion of the installation.

### Linux and other supported operating systems

From the website [www.elcom.eu](http://www.elcom.eu) download and, as necessary, compile and install the drivers from source following instructions which are attached to them.

## CALIBRATION OF THE TOUCHSCREEN PANEL

*Note: The calibration procedure is illustrated on the example with driver version 5.0.0.5017 and the Windows XP operating system. The procedure is similar for other operating systems.*

Before using the touch panel to control the computer it is suitable to calibrate the touch screen display. The calibration of the panel should be performed if there was a shift of calibration points too.

Calibration shall be performed by Touchkit Configure Utility which was installed with the driver. After its launch a window will open with the tabs containing configuration options. Select the "Tools" tab as shown.

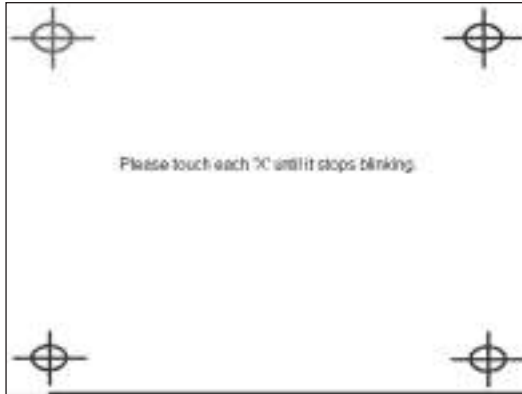
Figure 2.3. Tab for the calibration settings



## 4-Point Calibration

During calibration, the symbol of a cross with a circle will gradually appear in each corner of the display. For proper calibration, it is necessary to hold down the center of the symbol until it turns blue. In this way you ensure the setting of the exact value of position for the pressing point on the display.

**Figure 2.4. Calibration points constellation during 4-point calibration**



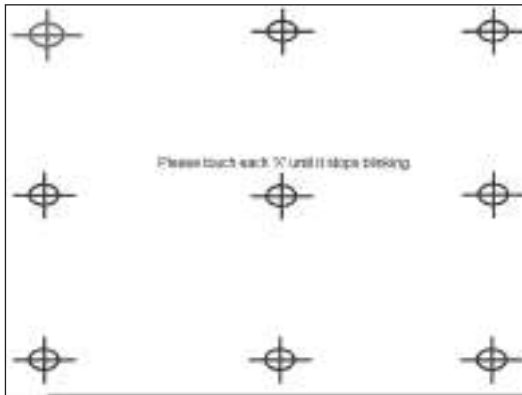
## Clear and Calibrate

This command deletes all calibration settings of parameters on the touch screen display and subsequently performs a 4-point calibration.

## Linearization

This is the calibration of the 9 or 25 points which are evenly distributed on the touch screen display. By performing linearization, you will achieve a higher precision and linearity of the touch screen panel. The process for linearization is similar to that of 4-point calibration.

**Figure 2.5. Calibration points constellation during linearization**



## Draw Test

This tool serves for verifying the accuracy and checking the functionality of the touch screen panel. The "Clear" button clears the surface and deletes all objects drawn. The command "Quit" terminates the drawing tool.

## Setting up the touch panel

In the Touchkit Configure Utility window on the “Setting” tab you can change the touch settings described below.

Figure 2.6. Tab for other settings of the touch screen display



Table 2.2. The meaning of the individual functions on the tab for setting the touch screen panel

Beep	sound feedback of the panel touching
Beep On Touch	sound when pressed
Beep On Release	sound when released
Frequency	tone frequency
Duration	tone length
Linearization style	option for choosing the type of linearization: 9-point or 25-point
Double click time	time interval for making a double click
Double click area	amount of movement allowed for the pressure point during double click
Normal mode	change the behavior when the panel is touched (clicking on touch or on release)
Options	specific additional setting for the touch screen display
Enable auto right click	enables right-click functionality (by prolonged pressing of a single point)
Enable touch	switching off the functionality of the touch screen panel
Enable cursor stabilization	a function for stabilizing the cursor

# MOUNTING OPTIONS

The base of the Uniq Display is adjustable for different ways of placement and mounting. The basic ways of mounting it are on a table or a wall. The packaging includes the components necessary for its comfortable and easy placement on these types of basic positions.

Figure 3.1. Mounting options



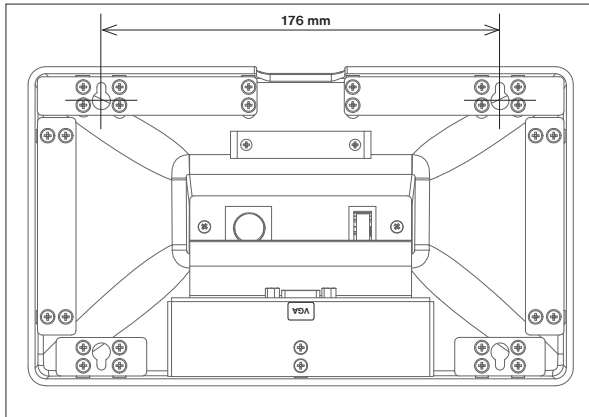
*Note: For placing a Uniq Display on a wall it is possible to achieve a larger angle of the display tilt by rotating its leg by 180°. Only an ELCOM service center is authorized to perform this operation.*

There are other, less common, solutions for mounting the panel, such as mounting on a tube holder or using a standardized VESA mount. For these ways of panel mounting, however, a specially prepared base is necessary for the Uniq Display supplied as a complete solution together with a specially prepared Uniq Display, either for placement on a tube holder or by using a standardized VESA mount.

## Placement on a vertical surface (wall) for standard stand

You'll find in the packaging of the Uniq Display a number of 4 × 16 mm self-tapping screws. For anchoring the panel, it's enough to place two screws horizontally at a distance of 176 mm from each other (you can use the supplied drilling stencil to properly place the holes for screws). The screws must protrude from the wall by at least 2-3 mm, in order to hang the panel from them. The base of the Uniq Display has on its bottom side metal slats with cut-out holes for hanging the panel. It may also be suspended in a position rotated by 180° according to the method of use. Always suspend the Uniq Display such that the narrower side of the screw holes is pointed upward; that is, always on the holes in the upper metal slat. It is possible to glue one, or if necessary, more anti-slip sticky pads on the lower metal slats of the Uniq Display base. This ensures the cushioned setting of the base on the surface.

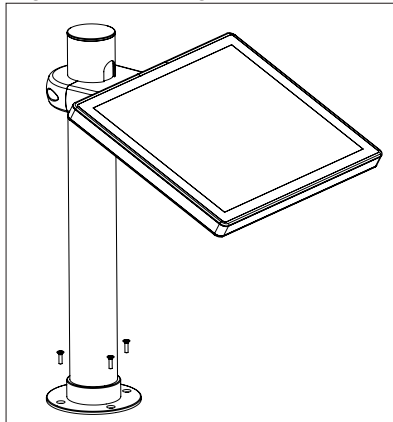
**Figure 3.2. Attaching the base to a vertical support stand**



## Tube holder 500 mm and 1300 mm

The base tube is a solid and firm solution with an intelligent design and protected cables. The cables are led through a metal tube in the base and this type of construction guarantees a high degree of IP 54 coverage. The base is anchored with the help of four screws to a table or another object. For anchoring the base to a ceiling it is necessary to change the position of the display by rotating it 180°.

**Figure 3.3. Mounting on the Tube holder**



You can alter the position of the rotated base by loosening the four screws from the bottom of the base and by setting the required angle of rotation. For assuring the position, it is necessary to fasten the screws back and thus anchor the base to the table.

Figure 3.4. A view of the base from the bottom - additional setting of the angle of the rotated base

