


EK-3000



Programmable keyboard **EK-3000**

Important

- Install the keyboard in a place where it will not be exposed to direct sunlight, unusual temperature changes (under 0 °C and above 50 °C) or high humidity. Installation in such places could result in damage to the cabinet and electrical components as well.
- After transporting the unit from a cold environment to a warm one and vice versa, do not switch on the keyboard for 20 minutes.
- An individual having wet hands should not operate the keyboard. Water could seep into the interior of keyboard and cause component failure.
- Clean the keyboard with dry, soft cloth. Never use such cleaning agents like petrol or solvents. Using such chemicals can result in discoloration or deterioration of cabinet.
- Avoid spilling any liquids on the keyboard as they may damage its functionality.
- If the keyboard malfunctions, contact your authorized dealer for service. Do not try to repair the keyboard yourself. Do not open the keyboard!
- If the keyboard is used in ways other than those described in these instructions, the dealer cannot be responsible for resulting damages.
-  The symbol on the product or on its packaging indicates that this product shall not be treated as household waste. Instead it shall be handed over to the applicable take-back scheme for the recycling of electrical and electronic equipment.
By ensuring this product is disposed of correctly, you will help prevent potential negative consequences for the environment and human health.

EK-3000

Basic information:

The EK-3000 keyboard can be used in combination with different equipments. The EK-3000 keyboard can be connected to POS systems used in stores, restaurants and hotels. The keyboard dimension, the number of keys and the keys function can be customized according to the specific customer requirements. It is possible to interconnect the keyboards using external cable.

The keyboard software allows user simple programming of the keyboard. There are clear removeable covers on the keyboard, which allows placing of the key function description underneath the cover. The numerical part of SN and D version is not equipped with clear removeable covers. The keyboard holder is an optional accessory.

Multiple EK-3000 keyboards can be connected into a cascade (chain-like) up to max. two keyboards without attached accessories.

If you connect too energy demanding keyboard combination into a cascade (or individually), the keyboard will cyclically reset itself—its LED diodes will flash continually. If a keyboard connected to a PC caused an error (PC BIOS issues that error), try disconnecting all accessories from the keyboard and try again.

If you use extension cables in your connexion, pay attention to belowmentioned table. Do not neglect the fact that the EK-3000 keyboards are fitted with 3 m cable from the production.

	Max. extension cable length without RFID and keyboard scanner	Max. extension cable length with RFID only	Max. extension cable length with keyboard scanner with external power supply	Max. extension cable length with keyboard scanner without external power supply	Max. extension cable length with both RFID and keyboard scanner
PC / AT IBM	5 m	3 m	5 m	0 m	not functional
EURO 2000	5 m	3 m	5 m	0 m	not functional
EURO2500TX	5 m	5 m	5 m	5 m	3 m
POS3000	5 m	3 m	5 m	0 m	not functional
POS4000	3 m	3 m	3 m	3 m	3 m

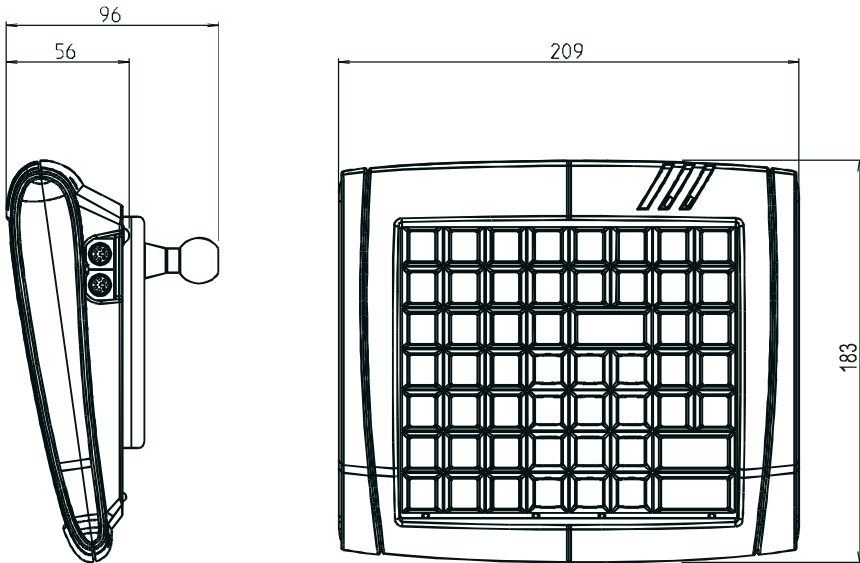
Technical parameters:

- supply voltage 5V DC \pm 5%
- current drain
 - EK-3000 single version: 25 mA
 - EK-3000 double version: 25 mA
- interface AT/PS2
- memory:
 - serial EPROM 4Kbit
 - data backup 100 years
 - life cycles 1 000 000
- operating temperature: 0–70 °C
- storage temperature: -40–80 °C

EK-3000

EK-3000 SN

- external dimensions: 182×209×56 mm
- weight: 0.76 kg
- number of keys: 53 (7 rows×8 columns)
- connectors: external keyboard and keyboard scanner connector

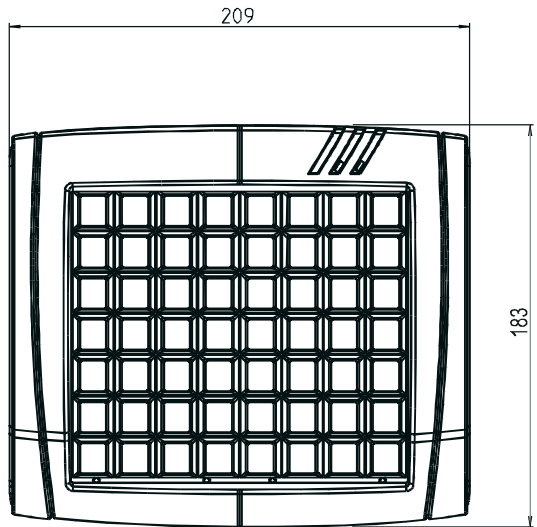
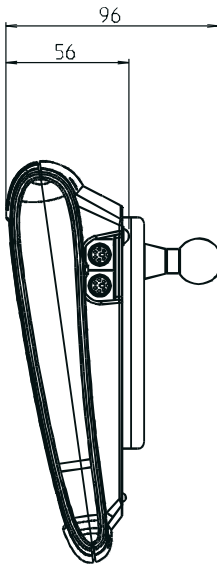


Dimensions of EK-3000 SN keyboard

EK-3000

EK-3000 S

- external dimensions: 182×209×56 mm
- weight: 0.76 kg
- number of keys: 56 (7 rows×8 columns)
- connectors: external keyboard and keyboard scanner connector
- standard package – 56 moduls with simple cover keys

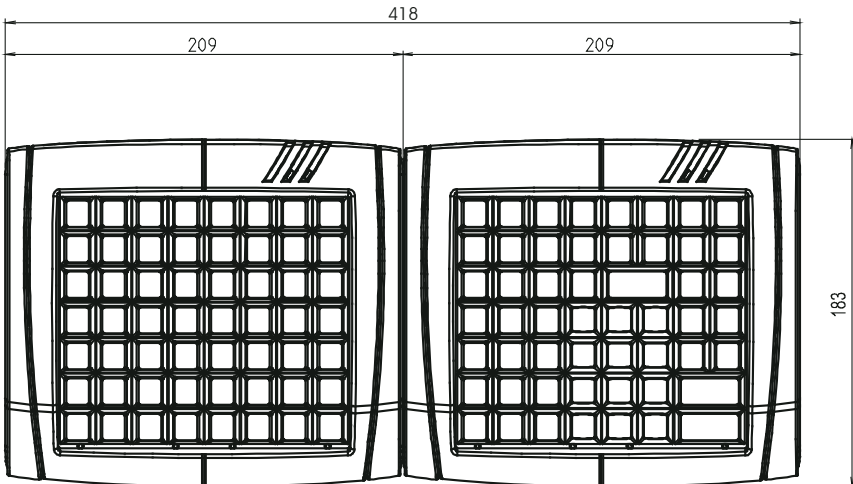
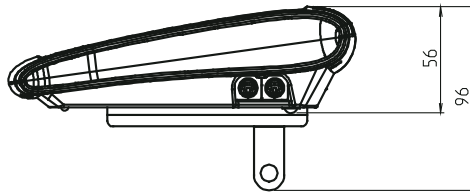


Dimensions of EK-3000 S keyboard

EK-3000

EK-3000 D/DN

- external dimensions: 182×416×56 mm
- weight: 1.3 kg
- number of keys: 56+56 (D), 53+56 (DN) (7 rows×2×8 columns)
- connectors: external keyboard and keyboard scanner connector

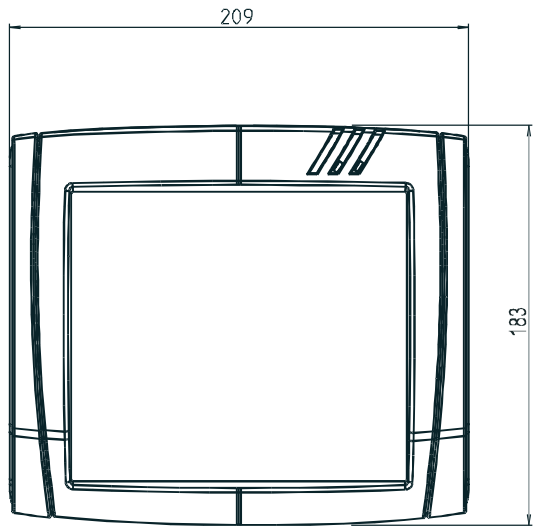
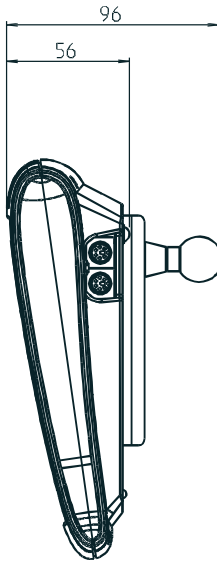


Dimensions of EK-3000 D/DN keyboard

EK-3000

EK-3000F S

- external dimensions: 182×209×56 mm
- weight: 0.73 kg
- number of keys: 56 (7 rows×8 columns)
- connectors: external keyboard and keyboard scanner connector
- standard package – 56 moduls with simple cover keys

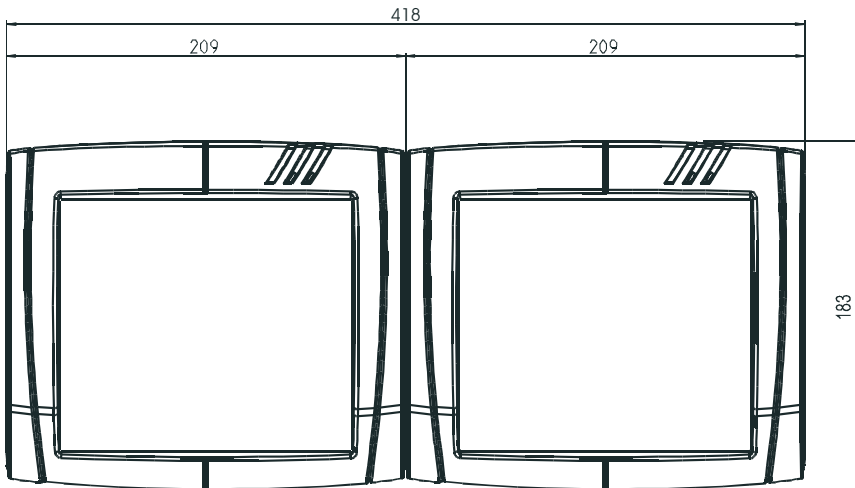
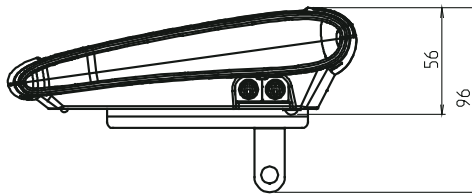


Dimensions of EK-3000F S keyboard

EK-3000

EK-3000F D and EK-3000 I

- external dimensions: 182×416×56 mm
- weight: 1.24 kg
- number of keys: 53+56 (FD) (7 rows×2×8 columns), 56+display (I)
- connectors: external keyboard and keyboard scanner connector



Dimensions of EK-3000F D and EK-3000 I keyboard

EK-3000

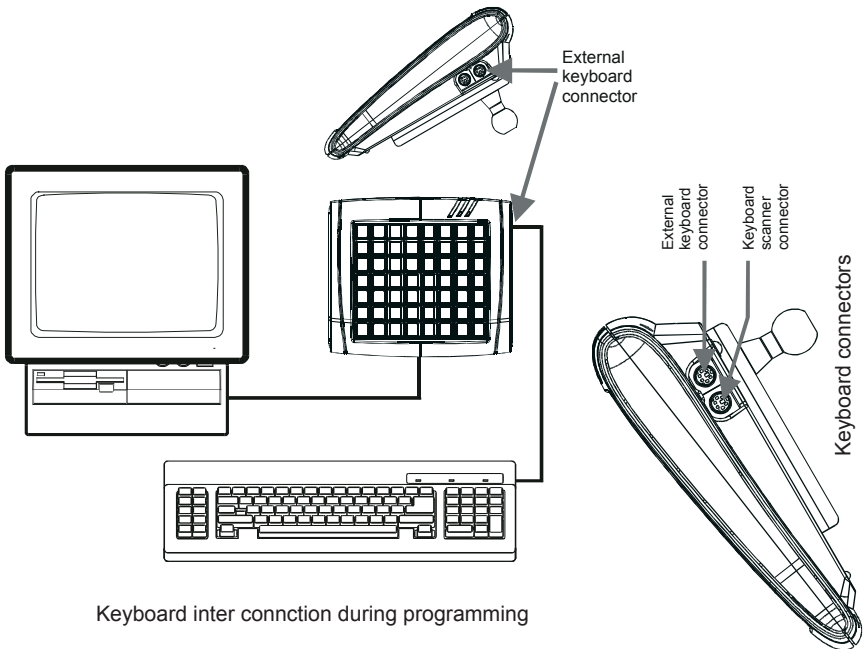
Programming:

To be able to program EK-3000 keyboard, install keyboard software:

- insert CD supplied with keyboard into CD-ROM drive of your computer.
- wait for CD self-activation and choose English language version.
- choose “Support/Support for EK-3000 Keyboards/ EK-3000 software...”. Installation software starts.
- click on “Next” button and confirm licence agreement with “Yes”.
- assign folder to install software, its language version and icon situation in Start menu.
- wait till installation software finish the EK-3000 software installation.

After installing the program in your computer, run the program from the icon in the start menu. The programming is described in Help files.

Connect keyboard to the PC according to the picture below. Everything should be ready to start EK-3000 programming.



Keyboard inter connection during programming

DECLARATION OF CONFORMITY

EMC – Directive: 89/336/EEC

We: ELCOM, s.r.o.
Námestie mládeže 3
SK – 080 01 Prešov, Slovakia

declare on our own responsibility, that the product:

Kind of equipment: Keyboard

Type – designation: EK-3000S, EK-3000SN, EK-3000D, EK-3000DN, EK-3000F S,
EK-3000F D

is in compliance with following norm(s) or document(s):

EN 55022/1998, EN 55024/1998, EN 61000-4-2/3.1995, EN 61000-4-3/3.1996

Prešov, 18.12.2000

place and date of issue

Ing. Miloslav Karaffa

Manufacturer/Authorized representative
name and signature

Accredited testlaboratory: MIKES BABT PRODUCT SERVICE GmbH, Ohmsrasse 2-4
D-94342 Strasskirchen, Germany

NOTE:

Above declaration has to be filled out and signed by the manufacturer or the authorized representative.

It is recommended to attach a copy of this declaration to every product.

ATTENTION:

The Declaration of Conformity only can be issued by the manufacturer or his authorized representative located in the European Community.

Other relevant Council Directives have to be observed.

Elcom Ltd.

Námestie mládeže 3
080 01 Prešov

Slovak Republic
telephone: ++421 91 74 64 111
fax: ++421 91 74 64 444
www.elcom.sk
elcom@elcom.sk

technical information:
tech_info@elcom.sk